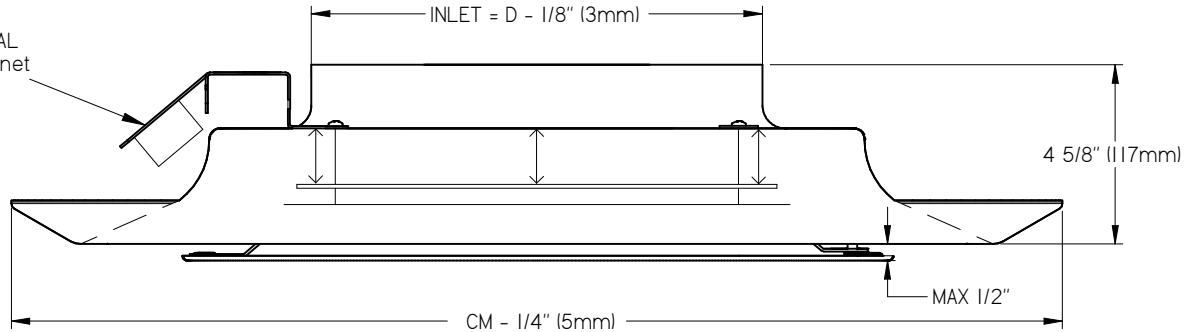


ADVR- ADVANTAGE ROUND MOTORIZED VAV DIFFUSER

ELECTRONIC FIELD CONNECTIONS, OPTIONAL TRANSFORMER OR BACnet



DIFFUSER TYPE:

- MASTER - INCLUDES ONBOARD CONTROLS, MAY ALSO CONTROL AND DISTRIBUTE POWER UP TO 5 DRONES FROM EACH MASTER
- DRONE - REPLICATES THE DAMPER POSITION OF THE MASTER. INCLUDES NETC35 PLENUM RATED 35 FT. (10.7m) CABLE WITH RJ-12 CONNECTORS (DRONE BOARD NOT SHOWN)

CEILING MODULE (CM):

- 24" x 24" -FL OPTION
- 600mm x 600mm -FL OPTION
- 27 5/8" (700mm) Diameter -BV OPTION

NOMINAL DUCT SIZE (D):

- 6" (152mm) 10" (254mm)
- 8" (203mm) 12" (305mm)

POWER REQUIREMENTS:

- 24 VAC INPUT POWER, 3.0 VA PER UNIT (MASTER OR DRONE)
- 60Hz
- 50Hz

SEE MODEL PPM FOR STAND-ALONE POWER MODULE (UP TO 15 UNITS)

OPTIONAL ON-BOARD TRANSFORMERS (MASTER ONLY):

- TR115 - 115/24, 20 VA TRANSFORMER
- TR240 - 240/24, 20 VA TRANSFORMER
- TR277 - 277/24, 20 VA TRANSFORMER

NETWORK OPTION (MASTER ONLY):

- BACnet SYSTEM INTERFACE (MS/TP) -INCLUDES NETC35 PLENUM RATED 35 FT. (10.7m) NETWORK CONNECTION CABLE (RJ45)

MATERIAL:

STEEL CONSTRUCTION

OPTIONS:

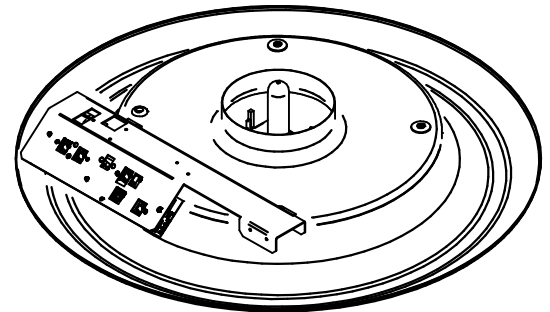
- ARC - ACUTHERM PRESSURE RELIEF COLLAR (SHIPPED LOOSE)
- HB - HANGER BRACKETS

FINISH:

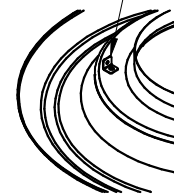
- B12 - WHITE POWDER COAT (OPTIONAL FINISHES AVAILABLE)

OPTIONAL AUXILIARY HEAT CONTROL OUTPUT: (12VA MAX. MASTER UNIT ONLY)

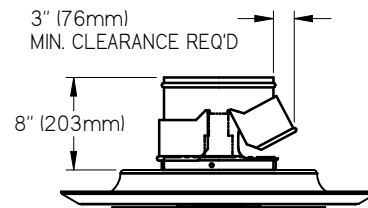
- PDM - PULSE DELAY MODULATION
- PWM - PULSE WIDTH MODULATION
- BIN - BINARY ON/OFF



OPTIONAL HANGER BRACKETS
2 OPPOSITE CORNERS



HB OPTION



PRESSURE RELIEF COLLAR OPTION

NOTES:

- FOR MATCHING RETURN USE MODEL STR-RA
- FACTORY TOLERANCE ±1/16" (2mm)

NOTE - METRIC DIMENSIONS HAVE BEEN ROUNDED TO THE NEAREST MILLIMETER

PROJECT:

SUBMITTAL NO: 271994

ADVR

ENGINEER:

REV A

**ADVANTAGE ROUND
SELF MODULATING
MOTORIZED VAV DIFFUSER**

CUSTOMER:

SUBMITTAL DATE:

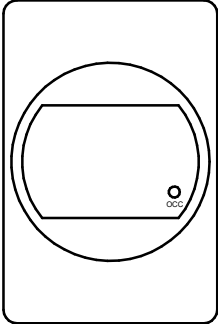
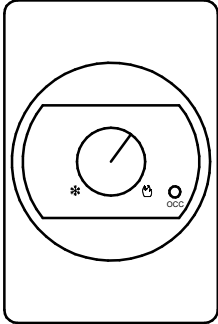
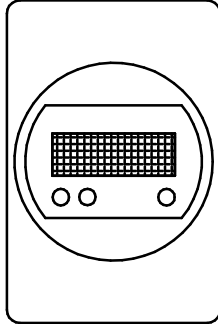
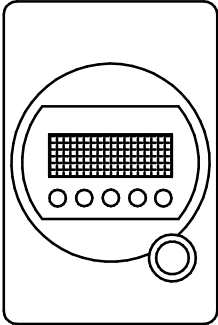
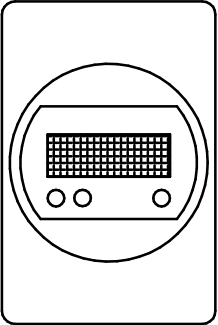
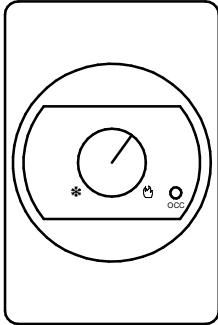
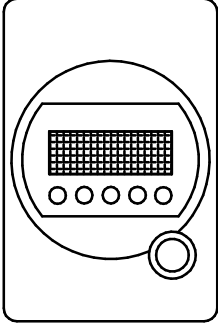
2023/02/26

© Copyright 2023

SHEET 1 OF 5

ADVR- ADVANTAGE ROUND MOTORIZED VAV DIFFUSER

SETPOINT ADJUSTMENT OPTIONS (MASTER ONLY):

 <p><input type="checkbox"/> SENS - THERMOSTAT SENSOR WITH BLANK FACE</p>	 <p><input type="checkbox"/> DIAL - THERMOSTAT WITH DIAL SETPOINT ADJUSTMENT</p>	 <p><input type="checkbox"/> LCD THERMOSTAT (°F) <input type="checkbox"/> LCD THERMOSTAT (°C)</p>
 <p><input type="checkbox"/> MOT - LCD THERMOSTAT WITH MOTION SENSOR (°F) <input type="checkbox"/> MOT - LCD THERMOSTAT WITH MOTION SENSOR (°C)</p>	 <p>WIRELESS BASE RECEIVER</p> <p><input type="checkbox"/> WL - WIRELESS THERMOSTAT WITH DIAL SETPOINT ADJUSTMENT</p>	 <p>WIRELESS REMOTE DIAL THERMOSTAT</p>
 <p><input type="checkbox"/> CO2H - LCD THERMOSTAT CO AND HUMIDITY SENSORS (°F) <input type="checkbox"/> CO2H - LCD THERMOSTAT CO AND HUMIDITY SENSORS (°C)</p>	<p>NOTE:</p> <ul style="list-style-type: none"> • THERMOSTATS ARE WALL MOUNTED • RJ-45 CONNECTION ON BACK SIDE OF THERMOSTATS FOR EASE OF INSTALLATION • THERMOSTATS ALSO INCLUDE ONE NETC35 - 35 FT. (10.7m) PLENUM RATED CABLE INCLUDED FOR CONNECTION TO DIFFUSER 	

NOTE - METRIC DIMENSIONS HAVE BEEN ROUNDED TO THE NEAREST MILLIMETER

PROJECT:

ENGINEER:

CUSTOMER:

SUBMITTAL DATE:

SUBMITTAL NO: 271994

REV A

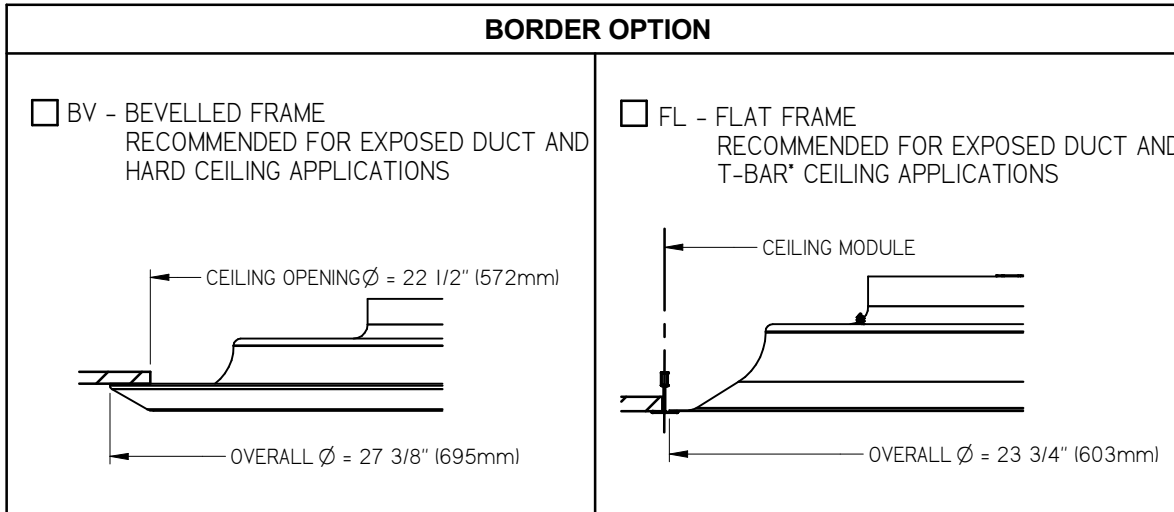
ADVR
ADVANTAGE ROUND
SELF MODULATING
MOTORIZED VAV DIFFUSER

2023/02/26

© Copyright 2023

SHEET 2 OF 5

ADVR- ADVANTAGE ROUND MOTORIZED VAV DIFFUSER



* T-BAR ADAPTER FRAME FOR T-BAR CEILING SOLD SEPARATELY

NOTE - METRIC DIMENSIONS HAVE BEEN ROUNDED TO THE NEAREST MILLIMETER

PROJECT:

ENGINEER:

CUSTOMER:

SUBMITTAL DATE:

SUBMITTAL NO: 271994

REV A

ADVR
ADVANTAGE ROUND
SELF MODULATING
MOTORIZED VAV DIFFUSER

2023/02/26

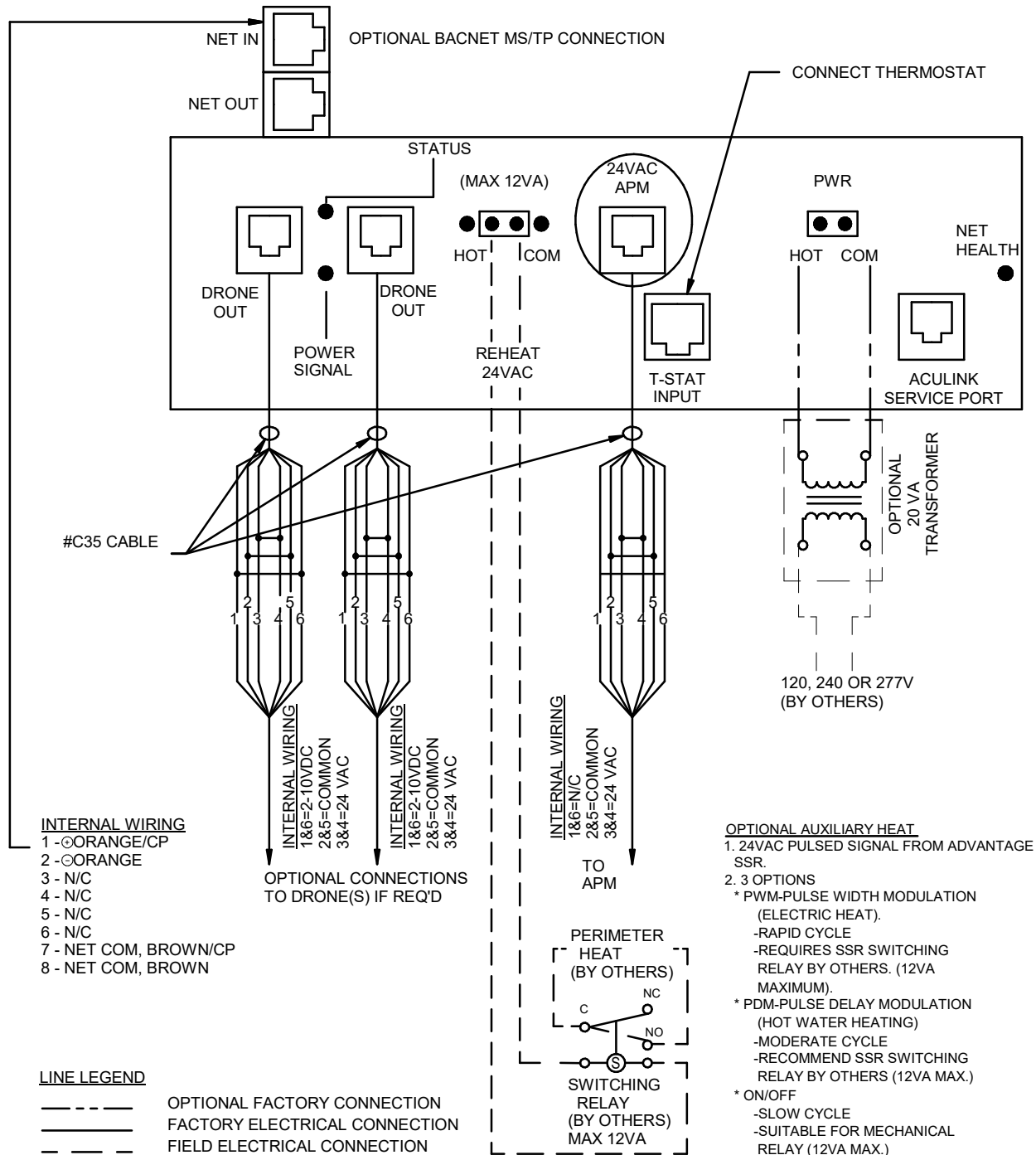
© Copyright 2023

aj

SHEET 3 OF 5

ADVR- ADVANTAGE ROUND MOTORIZED VAV DIFFUSER

CIRCUIT BOARD CONNECTIONS - MASTER UNITS:



NOTE - METRIC DIMENSIONS HAVE BEEN ROUNDED TO THE NEAREST MILLIMETER

PROJECT:

ENGINEER:

CUSTOMER:

SUBMITTAL DATE:

SUBMITTAL NO: 271994

REV A

ADVR
ADVANTAGE ROUND
SELF MODULATING
MOTORIZED VAV DIFFUSER

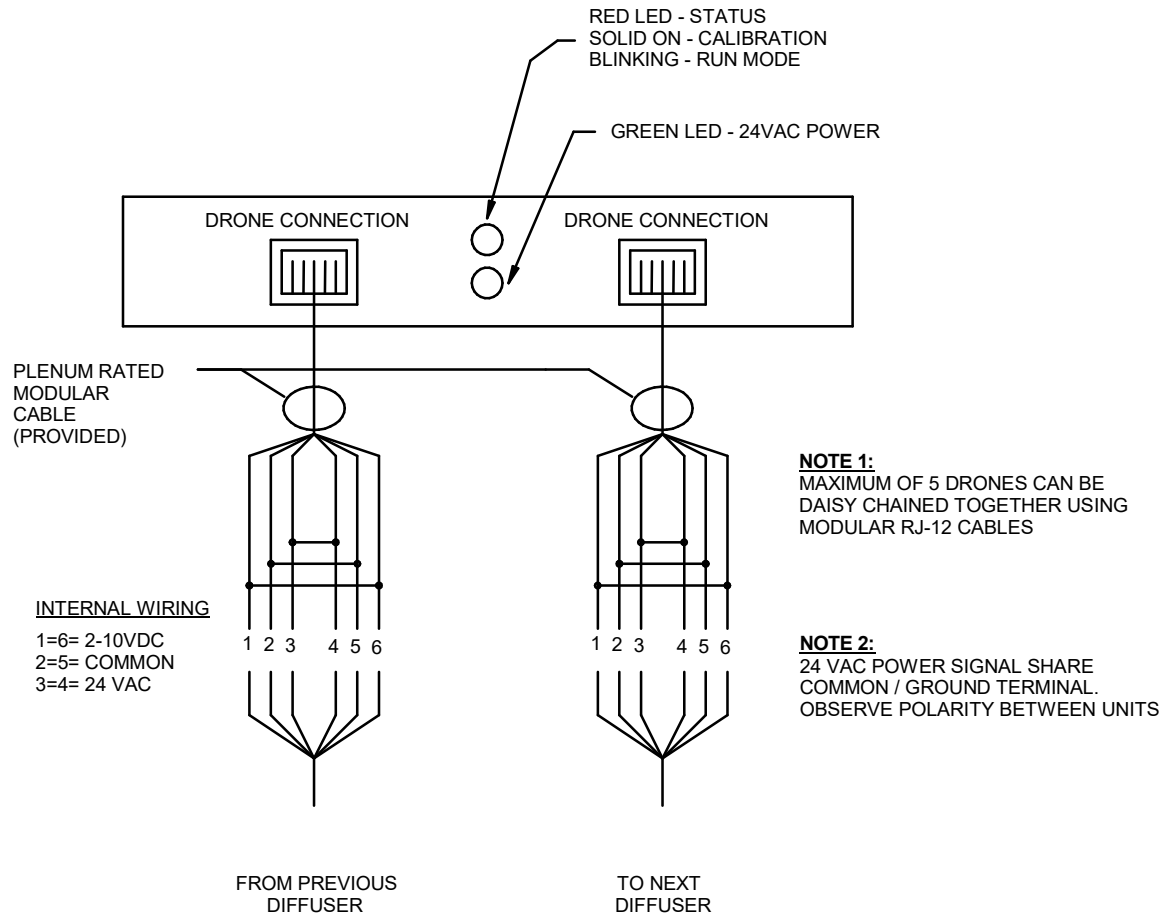
2023/02/26

© Copyright 2023

SHEET 4 OF 5

ADVR- ADVANTAGE ROUND MOTORIZED VAV DIFFUSER

CIRCUIT BOARD CONNECTIONS - DRONE UNITS:



LINE LEGEND

- OPTIONAL FACTORY CONNECTION
- _____ FACTORY ELECTRICAL CONNECTION
- - - - - FIELD ELECTRICAL CONNECTION

SIGNAL	DAMPER POSITION
0-2 VDC	NO SIGNAL DAMPER GOES TO 50%
2-10 VDC	PROPORTIONAL 2 VDC = MIN, 10 VDC = MAX

POWER
EACH DRONE USES 3.0VA
INPUT IMPEDANCE 200K (2-10 VDC SIGNAL)

NOTE - METRIC DIMENSIONS HAVE BEEN ROUNDED TO THE NEAREST MILLIMETER

PROJECT:

ENGINEER:

CUSTOMER:

SUBMITTAL DATE:

SUBMITTAL NO: 271994

REV A

ADVR
ADVANTAGE ROUND
SELF MODULATING
MOTORIZED VAV DIFFUSER

2023/02/26

© Copyright 2023

aj
SHEET 5 OF 5