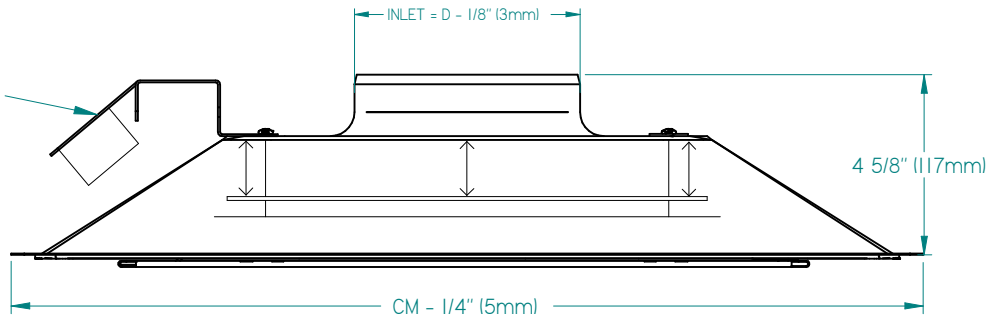


ADV- ADVANTAGE PLAQUE MOTORIZED VAV DIFFUSER

ELECTRONIC FIELD CONNECTIONS, OPTIONAL TRANSFORMER OR BACnet



DIFFUSER TYPE:

- MASTER - INCLUDES ONBOARD CONTROLS, MAY ALSO CONTROL AND DISTRIBUTE POWER UP TO 5 DRONES FROM EACH MASTER
- DRONE - REPLICATES THE DAMPER POSITION OF THE MASTER. INCLUDES NETC35 PLENUM RATED 35 FT. (10.7m) CABLE WITH RJ-12 CONNECTORS (DRONE BOARD NOT SHOWN)

CEILING MODULE (CM):

- 24" x 24"
- 600mm x 600mm

NOMINAL DUCT SIZE (D):

- 6" (152mm) 10" (254mm)
- 8" (203mm) 12" (305mm)

POWER REQUIREMENTS:

- 24 VAC INPUT POWER, 3.0 VA PER UNIT (MASTER OR DRONE)
- 60Hz
- 50Hz
- SEE MODEL PPM FOR STAND-ALONE POWER MODULE (UP TO 15 UNITS)

OPTIONAL ON-BOARD TRANSFORMERS (MASTER ONLY):

- TR115 - 115/24, 20 VA TRANSFORMER
- TR240 - 240/24, 20 VA TRANSFORMER
- TR277 - 277/24, 20 VA TRANSFORMER

NETWORK OPTION (MASTER ONLY):

- BACnet SYSTEM INTERFACE (MS/TP) - INCLUDES NETC35 PLENUM RATED 35 FT. (10.7m) NETWORK CONNECTION CABLE (RJ45)

MATERIAL:

STEEL CONSTRUCTION

OPTIONS:

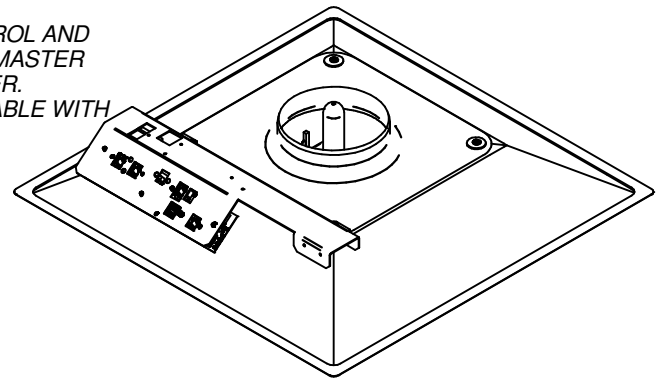
- AF1 - INSULATED BACKPAN, 1/2" (13) FIBERGLASS WITH FOIL/SCRIM VAPOUR BARRIER - AVAILABLE WITH STYLE 3 FRAME ONLY
- ARC - ACUTHERM PRESSURE RELIEF COLLAR (SHIPPED LOOSE)
- HB - HANGER BRACKETS

FINISH:

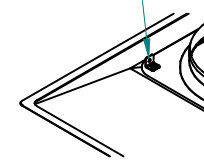
- B12 - WHITE POWDER COAT (OPTIONAL FINISHES AVAILABLE)

OPTIONAL AUXILIARY HEAT CONTROL OUTPUT: (12VA MAX. MASTER UNIT ONLY)

- PDM - PULSE DELAY MODULATION
- PWM - PULSE WIDTH MODULATION
- BIN - BINARY ON/OFF

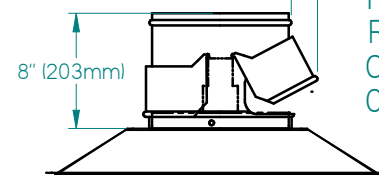


OPTIONAL HANGER BRACKETS
2 OPPOSITE CORNERS



HB OPTION

3" (76mm)
MIN. CLEARANCE REQ'D.



PRESSURE
RELIEF
COLLAR
OPTION

NOTES:

- FOR MATCHING RETURN USE MODEL TF-RA
- PLAQUE IS 1/4"(6mm) MAX. BELOW CEILING
- FACTORY TOLERANCE ±1/16" (2mm)

NOTE - METRIC DIMENSIONS HAVE BEEN ROUNDED TO THE NEAREST MILLIMETER

PROJECT:

SUBMITTAL NO: 271992

ADV

ENGINEER:

REV 0

**ADVANTAGE PLAQUE
SELF MODULATING
MOTORIZED VAV DIFFUSER**

CUSTOMER:

SUBMITTAL DATE:

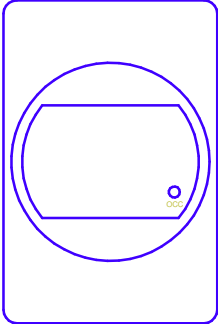
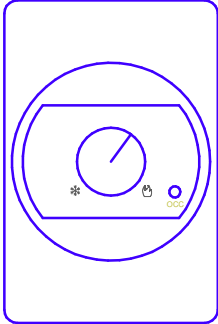
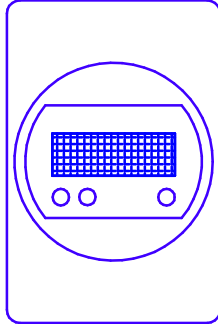
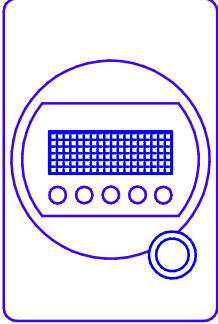
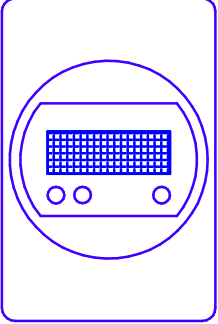
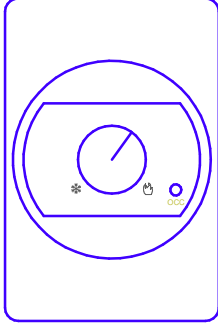
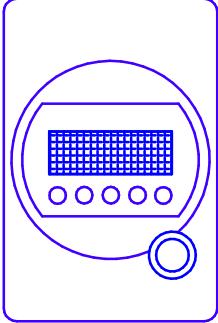
2020/03/23

© Copyright 2020

SHEET 1 OF 5

ADV- ADVANTAGE PLAQUE MOTORIZED VAV DIFFUSER

SETPOINT ADJUSTMENT OPTIONS (MASTER ONLY):

| | | |
|--|---|--|
|  <p><input type="checkbox"/> SENS - THERMOSTAT SENSOR WITH BLANK FACE</p> |  <p><input type="checkbox"/> DIAL - THERMOSTAT WITH DIAL SETPOINT ADJUSTMENT</p> |  <p><input type="checkbox"/> LCD THERMOSTAT (°F) <input type="checkbox"/> LCD THERMOSTAT (°C)</p> |
|  <p><input type="checkbox"/> MOT - LCD THERMOSTAT WITH MOTION SENSOR (°F) <input type="checkbox"/> MOT - LCD THERMOSTAT WITH MOTION SENSOR (°C)</p> |  <p>WIRELESS BASE RECEIVER</p> <p><input type="checkbox"/> WL - WIRELESS THERMOSTAT WITH DIAL SETPOINT ADJUSTMENT</p> |  <p>WIRELESS REMOTE DIAL THERMOSTAT</p> |
|  <p><input type="checkbox"/> CO2H - LCD THERMOSTAT CO AND HUMIDITY SENSORS (°F) <input type="checkbox"/> CO2H - LCD THERMOSTAT CO AND HUMIDITY SENSORS (°C)</p> | <p>NOTE:</p> <ul style="list-style-type: none"> • THERMOSTATS ARE WALL MOUNTED • RJ-45 CONNECTION ON BACK SIDE OF THERMOSTATS FOR EASE OF INSTALLATION • THERMOSTATS ALSO INCLUDE ONE NETC35 - 35 FT. (10.7m) PLENUM RATED CABLE INCLUDED FOR CONNECTION TO DIFFUSER | |

NOTE - METRIC DIMENSIONS HAVE BEEN ROUNDED TO THE NEAREST MILLIMETER

PROJECT:

ENGINEER:

CUSTOMER:

SUBMITTAL DATE:

SUBMITTAL NO: 271992

REV 0

ADV

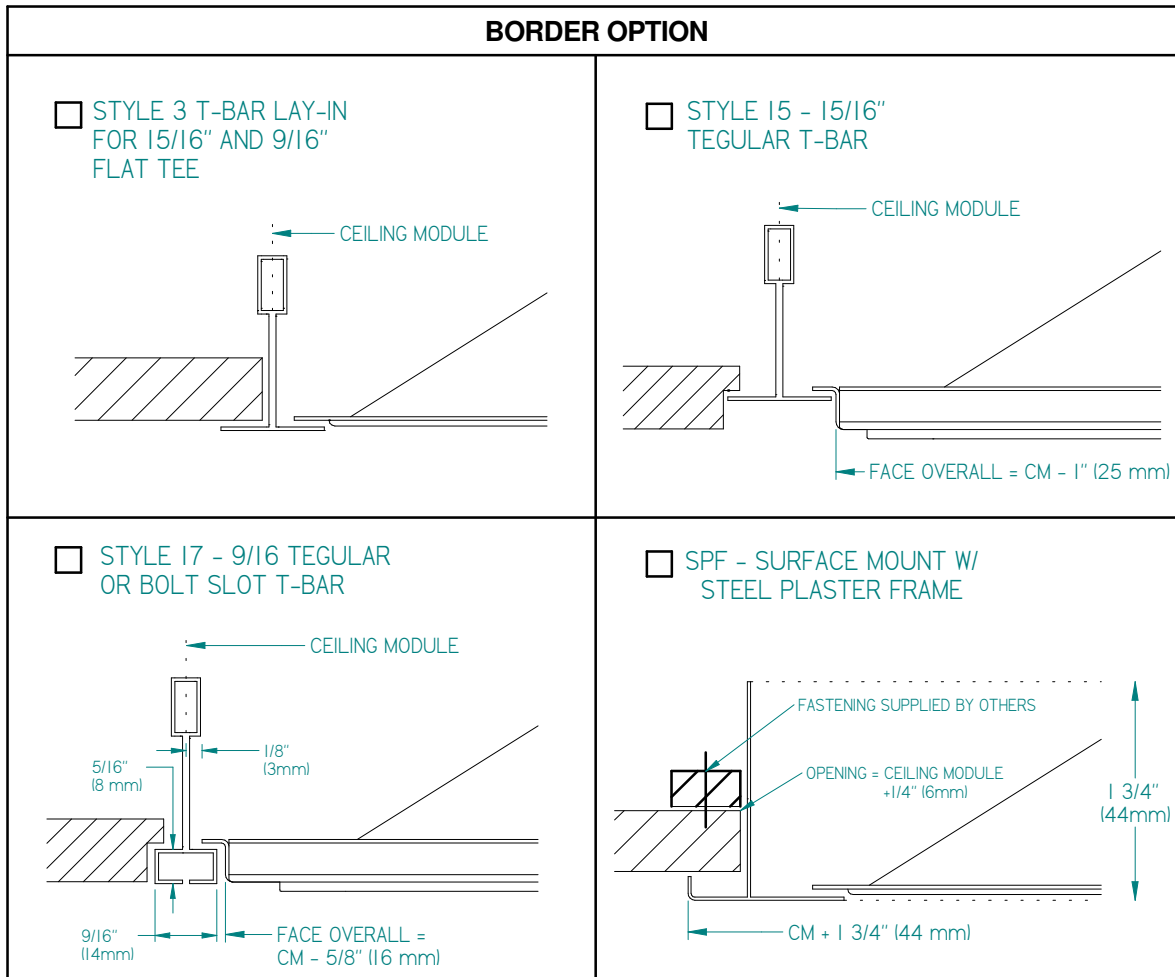
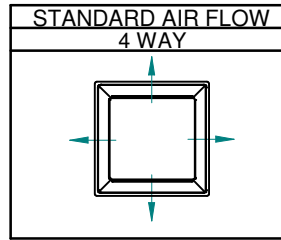
**ADVANTAGE PLAQUE
SELF MODULATING
MOTORIZED VAV DIFFUSER**

2020/03/23

© Copyright 2020

SHEET 2 OF 5

ADV- ADVANTAGE PLAQUE MOTORIZED VAV DIFFUSER



NOTE - METRIC DIMENSIONS HAVE BEEN ROUNDED TO THE NEAREST MILLIMETER

PROJECT:

ENGINEER:

CUSTOMER:

SUBMITTAL DATE:

SUBMITTAL NO: 271992

REV 0

ADV

**ADVANTAGE PLAQUE
SELF MODULATING
MOTORIZED VAV DIFFUSER**

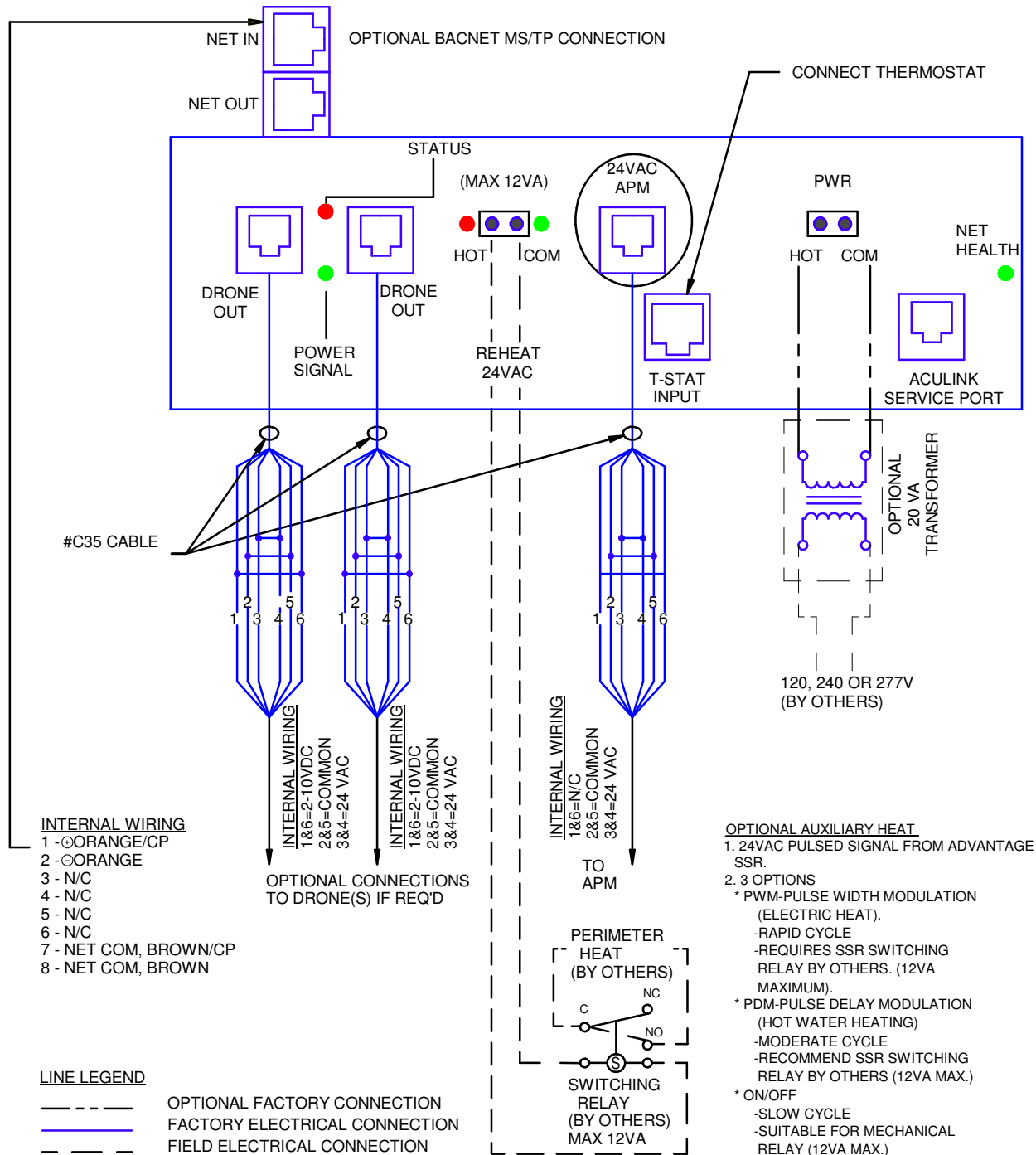
2020/03/23

© Copyright 2020

SHEET 3 OF 5

ADV- ADVANTAGE PLAQUE MOTORIZED VAV DIFFUSER

CIRCUIT BOARD CONNECTIONS - MASTER UNITS:



NOTE - METRIC DIMENSIONS HAVE BEEN ROUNDED TO THE NEAREST MILLIMETER

PROJECT:

ENGINEER:

CUSTOMER:

SUBMITTAL DATE:

SUBMITTAL NO: 271992

REV 0

ADV

**ADVANTAGE PLAQUE
SELF MODULATING
MOTORIZED VAV DIFFUSER**

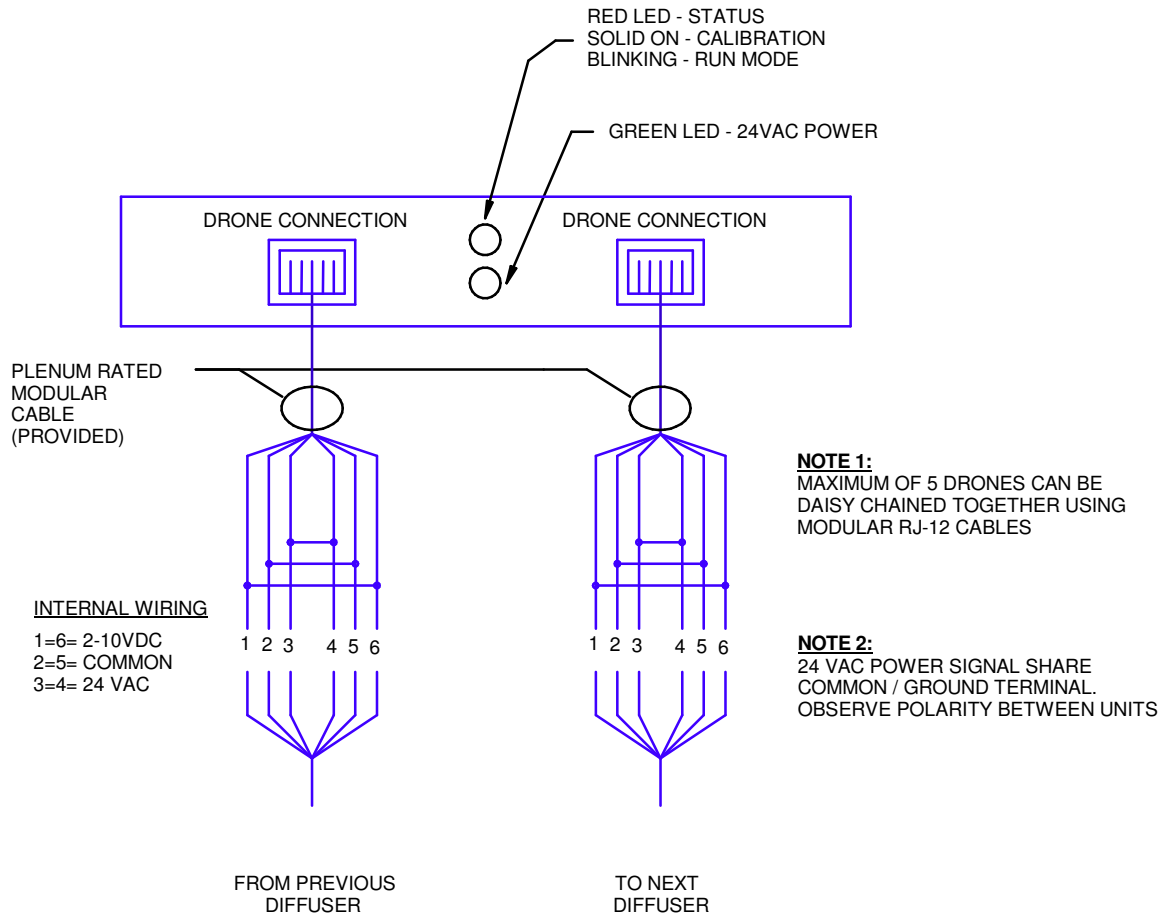
2020/03/23

© Copyright 2020

SHEET 4 OF 5

ADV- ADVANTAGE PLAQUE MOTORIZED VAV DIFFUSER

CIRCUIT BOARD CONNECTIONS - DRONE UNITS:



LINE LEGEND

- OPTIONAL FACTORY CONNECTION
- FACTORY ELECTRICAL CONNECTION
- - - FIELD ELECTRICAL CONNECTION

| SIGNAL | DAMPER POSITION |
|----------|--|
| 0-2 VDC | NO SIGNAL DAMPER GOES TO 50% |
| 2-10 VDC | PROPORTIONAL 2 VDC = MIN, 10 VDC = MAX |

| POWER |
|--|
| EACH DRONE USES 3.0VA |
| INPUT IMPEDANCE 200K (2-10 VDC SIGNAL) |

NOTE - METRIC DIMENSIONS HAVE BEEN ROUNDED TO THE NEAREST MILLIMETER

PROJECT:

ENGINEER:

CUSTOMER:

SUBMITTAL DATE:

SUBMITTAL NO: 271992

REV 0

ADV
ADVANTAGE PLAQUE
SELF MODULATING
MOTORIZED VAV DIFFUSER

2020/03/23

© Copyright 2020

SHEET 5 OF 5