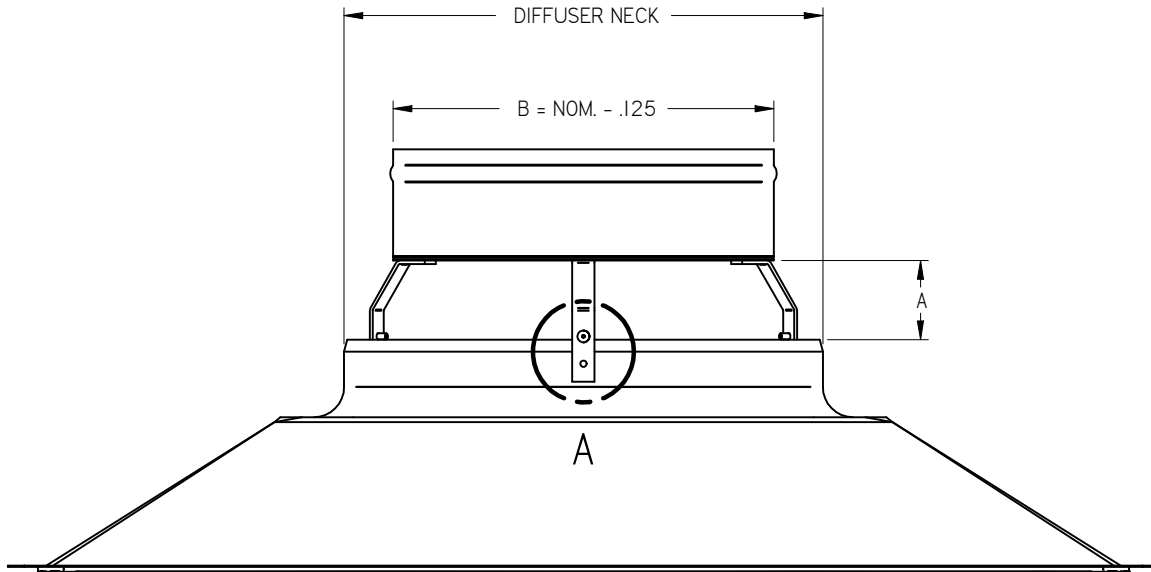
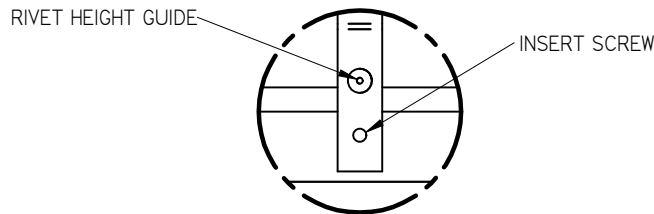


## ARR - Acutherm Relief Ring



TYPICAL INSTALLATION WITH TF/ST/STR/EF  
DIFFUSER (ORDER SEPARATELY)



DETAIL A

**NOTES:**

- UNIT IS SHIPPED SEPARATELY AND ASSEMBLED IN FIELD
- RELIEF RING IS A STATIC PRESSURE CONTROL DEVICE TO BE USED WITH AN OPEN (NON-DUCTED) RETURN AIR PLENUM
- SELF TAPPING SCREWS, BALANCING STOPS AND APPROPRIATE LABELS AND INSTRUCTIONS INCLUDED

**MATERIAL:**

- STEEL CONSTRUCTION
- ALUMINUM PERFORATED INLET BAFFLE

**FINISH:**

- GALVANIZED

TYPE	DUCT INLET	DIFFUSER NECK	A	B
6RR8	6" (152mm)	8" (203mm)	1 1/2" (38mm)	5 7/8" (149mm)
8RR10	8" (203mm)	10" (254mm)	1 5/8" (41mm)	7 7/8" (200mm)
10RR12	10" (254mm)	12" (305mm)	1 3/4" (44mm)	9 7/8" (251mm)

NOTE - METRIC DIMENSIONS HAVE BEEN ROUNDED TO THE NEAREST MILLIMETER

**PROJECT:**

**SUBMITTAL NO.:**

**ARR**

**ENGINEER:**

**ACUTHERM RELIEF RING**

**CUSTOMER:**

**SUBMITTAL DATE:**

2019/05/08

© Copyright 2019

SHEET 1 OF 1