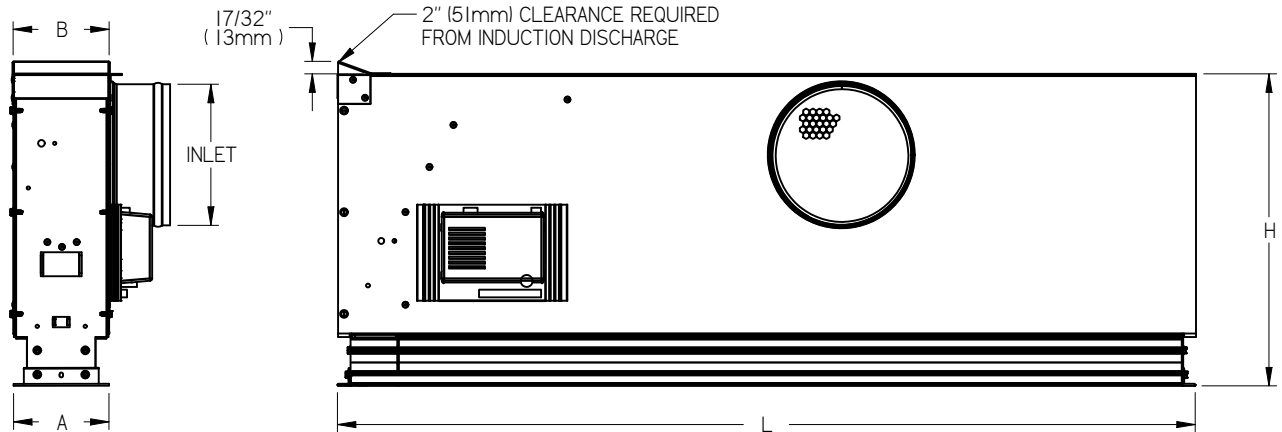
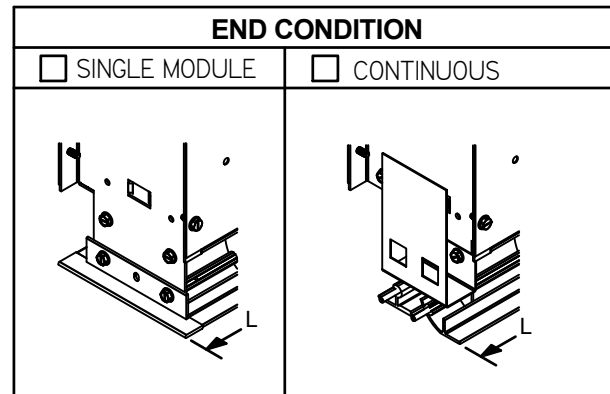


EL - Therma-Fuser™ VAV DIFFUSER BACnet™ Linear Slot Diffuser With Blade Dampers



	A	B
<input type="checkbox"/> 1 Slot, 1 Way	2 9/16" 65mm	4" 102mm
<input type="checkbox"/> 2 Slot, 1 Way	3 3/4" 95mm	4" 102mm
<input type="checkbox"/> 2 Slot, 2 Way	4" 102mm	4" 102mm
<input type="checkbox"/> 4 Slot, 1 Way	6" 152mm	6 5/16" 160mm
<input type="checkbox"/> 4 Slot, 2 Way	6 3/8" 162mm	6 5/16" 160mm



STANDARD CONSTRUCTION:

- EXTRUDED ALUMINUM DIFFUSER FACE
- COATED STEEL PLENUM
- DC STEPPER MOTOR

POWER REQUIREMENTS:

- 24VAC INPUT POWER

COMMUNICATION PROTOCOL:

- BACnet™ PROTOCOL - BTL LISTED
 - INPUTS:
 - TEMP. SETPOINTS BY OCCUPANCY MODE
 - MINIMUM AIRFLOW
 - MINIMUM AIRFLOW STANDBY
 - MAXIMUM AIRFLOW
 - MANUAL OVERRIDE
 - OCCUPANCY / APPLICATION MODE
 - VAV HEAT / COOL OR VAV COOLING ONLY
 - OUTPUTS:
 - SPACE TEMPERATURE
 - AIRFLOW RATE
 - UNIT STATUS
 - EFFECTIVE SETPOINT
 - TERMINAL LOAD
- (OTHER INPUTS AND OUTPUTS AVAILABLE)

Nom. Length	L	
	Single Unit	Continuous
<input type="checkbox"/> 24"	23 3/4"	24 5/8"
<input type="checkbox"/> 36"	35 3/4"	36 5/8"
<input type="checkbox"/> 48"	47 3/4"	48 5/8"
<input type="checkbox"/> 60"	59 3/4"	60 5/8"
<input type="checkbox"/> 600mm	594mm	616mm
<input type="checkbox"/> 900mm	894mm	916mm
<input type="checkbox"/> 1200mm	1194mm	1216mm
<input type="checkbox"/> 1500mm	1494mm	1516mm

OPTIONAL REMOTE ADJUST:

- BA - BACnet™ WALL ADJUSTER

PLENUM HEIGHT

- STANDARD PLENUM HEIGHT
H = 13" (330mm)
- LP - LOW PROFILE PLENUM HEIGHT (N/A WITH TOP INLET)
H = 10" (254mm)

NOTE - METRIC DIMENSIONS HAVE BEEN ROUNDED TO THE NEAREST MILLIMETER

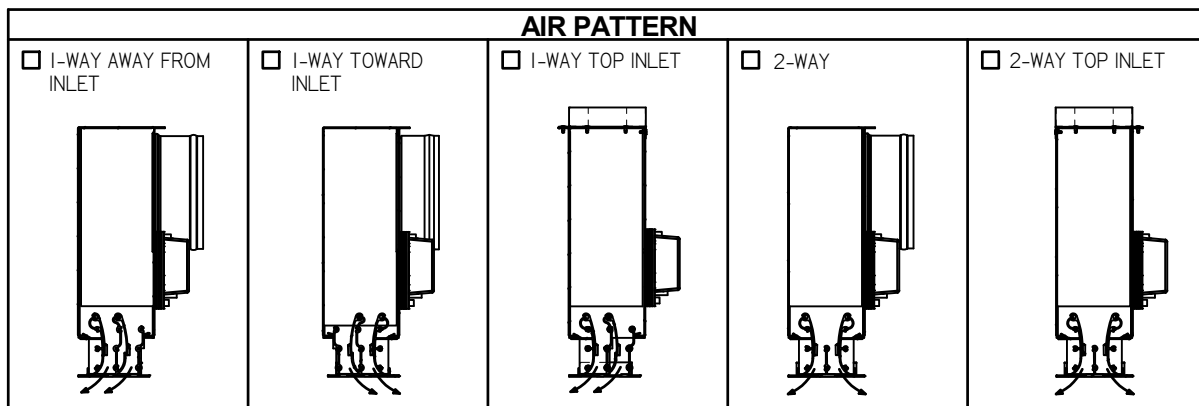
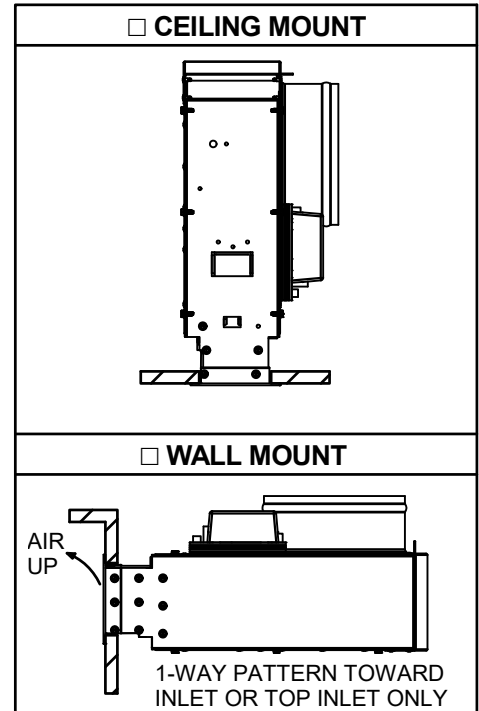
PROJECT:
ENGINEER:
CUSTOMER:
SUBMITTAL DATE:

SUBMITTAL NO: **269589**
REV 0

EL
BACnet™
LINEAR VAV DIFFUSER

EL - Therma-Fuser™ VAV DIFFUSER BACnet™ Linear Slot Diffuser With Blade Dampers

INLET SIZES:		Standard Plenum - Side Inlet	Low Profile Plenum - Side Inlet	Top Inlet
24" / 600mm	1 & 2 Slot	6" (152mm)	6" (152mm)	4" x 8" (102mm x 203mm)
	4 Slot	8" (203mm)	6 3/8" x 8 3/4" (8" equivalent)	6" x 10" (152mm x 254mm)
36" / 900mm	1 & 2 Slot	6" (152mm)	6" (152mm)	4" x 8" (102mm x 203mm)
	4 Slot	8" (203mm)	6 3/8" x 11 7/8" (10" equivalent)	6" x 10" (152mm x 254mm)
48" / 1200mm	1 & 2 Slot	8" (203mm)	6 3/8" x 11.890" (10" equivalent)	4" x 16" (102mm x 406mm)
	4 Slot	10" (254mm)	6 3/8" x 15 1/32" (12" equivalent)	6" x 18" (152mm x 457mm)
60" / 1500mm	1 & 2 Slot	8" (203mm)	6 3/8" x 11 7/8" (10" equivalent)	4" x 16" (102mm x 406mm)
	4 Slot	9 7/8" x 12 3/4" (12" equivalent)	6 3/8" x 18 3/16" (14" equivalent)	6" x 18" (152mm x 457mm)



OPTIONAL INSULATION:

- FF - FIBER FREE FOAM INSULATED PLENUM INTERIOR

FINISH:

- B12 - WHITE
(OPTIONAL FINISHES AVAILABLE)

NOTES:

- CONTINUOUS DIFFUSERS - FIELD TRIMMING MAY ONLY BE DONE USING TL-RAP RETURN SECTIONS
- END ANGLES FOR CONTINUOUS UNITS ARE SHIPPED LOOSE FOR FIELD INSTALLATION AT ENDS OF RUN
- FACTORY TOLERANCE ±1/16" (2mm)

NOTE - METRIC DIMENSIONS HAVE BEEN ROUNDED TO THE NEAREST MILLIMETER

PROJECT:

SUBMITTAL NO: **269589**

ENGINEER:

REV 0

CUSTOMER:

EL
BACnet™
LINEAR VAV DIFFUSER

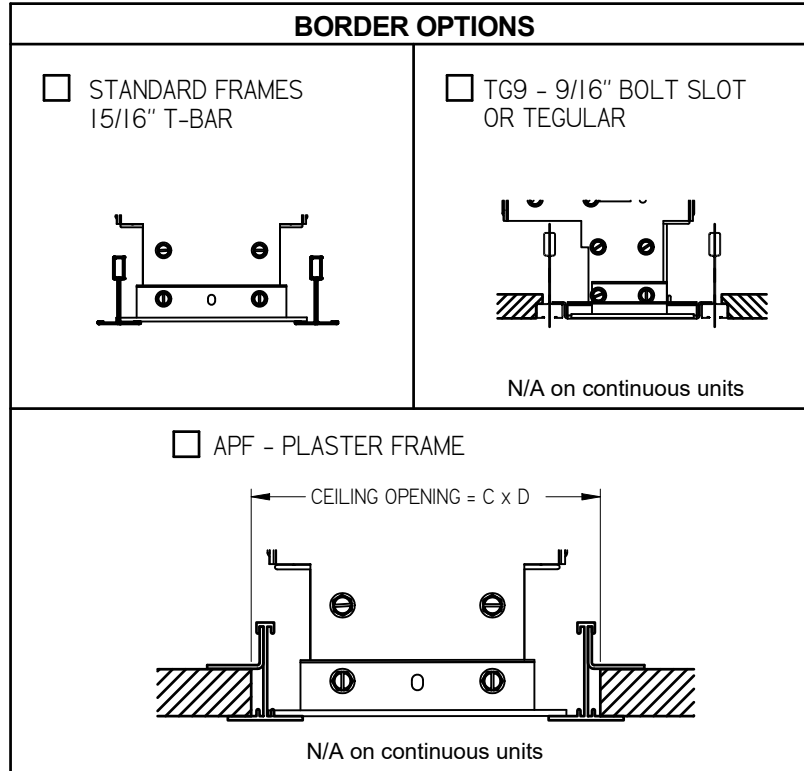
SUBMITTAL DATE:

2017/12/19

© Copyright 2017

SHEET 2 OF 3

EL - Therma-Fuser™ VAV DIFFUSER BACnet™ Linear Slot Diffuser With Blade Dampers



Opening Dimensions for Optional APF Plaster Frame:

	C	Nom. Length	D
1 Slot, 1 Way	3 1/4"	24"	24 7/16"
	83mm	36"	36 7/16"
2 Slot, 1 Way	4 7/16"	48"	48 7/16"
	113mm	60"	60 7/16"
2 Slot, 2 Way	4 11/16"	600mm	611mm
	119mm	900mm	911mm
	6 11/16"	1200mm	1211mm
4 Slot, 1 Way	170mm	1500mm	1511mm
	7 1/16"		
4 Slot, 2 Way	179mm		

NOTE - METRIC DIMENSIONS HAVE BEEN ROUNDED TO THE NEAREST MILLIMETER

PROJECT:
ENGINEER:
CUSTOMER:
SUBMITTAL DATE:

SUBMITTAL NO: **269589**
REV 0

EL
BACnet™
LINEAR VAV DIFFUSER