

THERMA-FUSER™

THERMALLY POWERED VAV DIFFUSER

WIRELESS WALL ADJUSTER – ST FIELD ASSEMBLY



INSTRUCTIONS FOR FIELD ASSEMBLY OF WIRELESS WALL ADJUSTER OPTION INTO EXISTING MODEL ST THERMA-FUSER DIFFUSERS

Models: **ST-C VAV cooling only**
 ST-HC VAV cooling and VAV heating

Note: The Wireless Wall Adjuster uses a Master and Secondary diffuser wiring scheme. These instructions are for field assembly of the Master and Secondary diffusers. For installation details and wiring between diffusers, please see Form 040.204 Wireless Wall Adjuster Installation and Operating guide.

1. Unlatch the hinged appearance panel.

Note: If more space is required to drill the holes, the diffuser mechanism may be removed from the housing by unscrewing the four (4) screws.

2. Drill a $\frac{5}{16}$ " hole in the top of the housing on the same side as the thermostat (see Fig. 1 and 2).
3. Drill a $\frac{1}{4}$ " hole in the top of the scoop (see Fig. 2).
4. Insert the grommet in the $\frac{5}{16}$ " hole in the housing/terminal box.

Note: If the diffuser mechanism was removed, reassemble it to the housing using the four (4) screws. A small amount of silicon is installed on the screws to prevent movement due to vibration during shipping. This silicon does not need to be replaced unless the unit is to be shipped.

5. Adjust the cooling (and heating) thermostat set point to 76°F/24°C.

Caution: For proper operation of the Wireless Wall Adjuster, the set point(s) must remain at 76°F/24°C.

6. Mount the wireless diffuser board using the adhesive backed mounting strips on the back side of the diffuser housing just below the $\frac{5}{16}$ " hole in the housing (see Fig. 3).

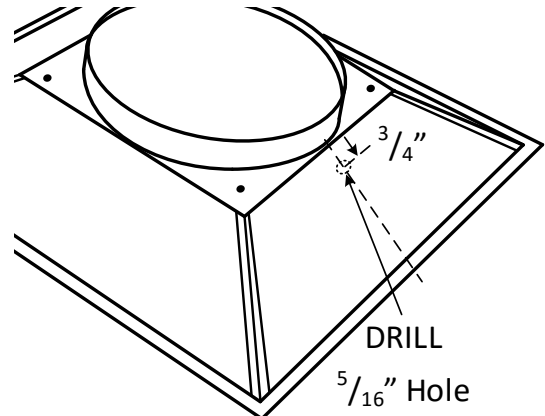


Fig. 1

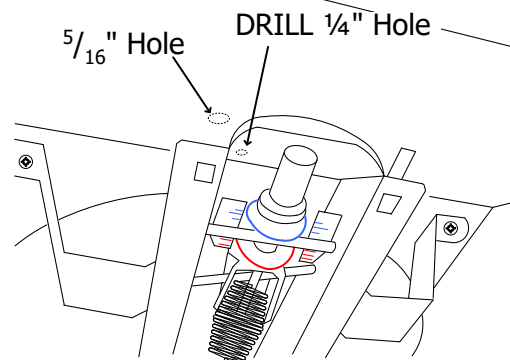


Fig. 2

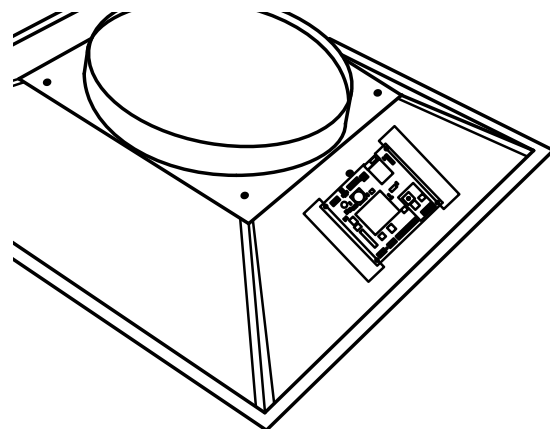


Fig. 3

THERMA-FUSER™

THERMALLY POWERED VAV DIFFUSER

WIRELESS WALL ADJUSTER – ST FIELD ASSEMBLY



7. Prepare resistance heaters following Heater Sub-Assembly Instructions (attached). Slip shrink band and heater over the thermostat. Locate the space between the ends of the heater at the bottom of the thermostat (where the heat will be applied to the shrink band). One edge should be against the hub of the thermostat. Heat the shrink band with a hair dryer until the band is tight.
8. Rout the wires through the $\frac{1}{4}$ " hole in the scoop and through the grommet in the $\frac{5}{16}$ " hole in the housing (see Fig. 4).
9. Connect the red wire(s) and the black wire(s) to terminals labeled INTERNAL HEATER (see Fig. 5).
10. Route the plug connector on the ribbon cable for the button/label through the grommet in the $\frac{5}{16}$ " hole in the housing.
11. Connect the plug connector to the three pin connector on the wireless diffuser board smooth side up.
12. Secure the adhesive backed button/light to the room side of the diffuser housing near the edge where it can be easily reached for the joining process to follow (see Fig. 6).
13. Fit the cover onto the wireless diffuser board.
14. Fold up and latch the appearance panel.

For installation and maintenance instructions please see Form 040.204 Wireless Wall Adjuster Installation and Operating guide.

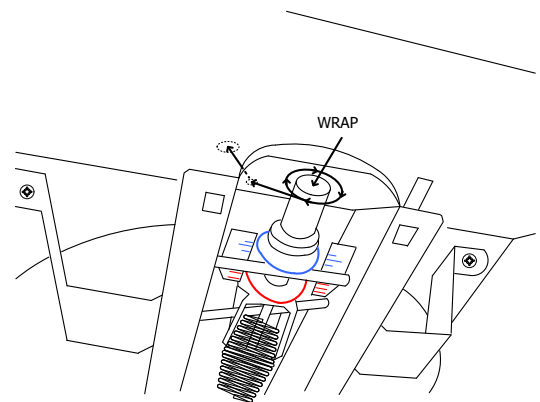


Fig. 4

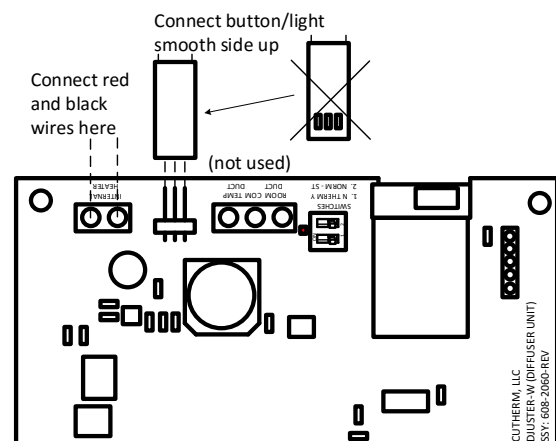


Fig. 5

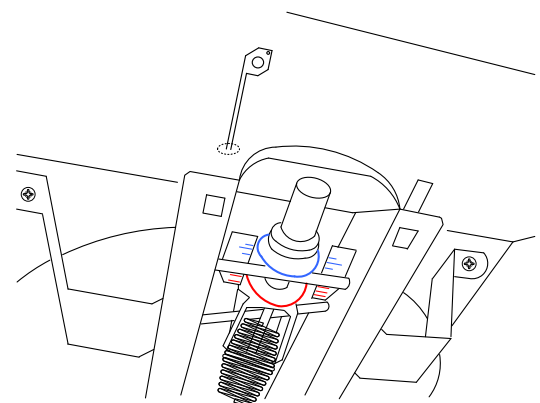


Fig. 6

THERMA-FUSER™

THERMALLY POWERED VAV DIFFUSER

RESISTANCE HEATER FIELD ASSEMBLY



Resistance Heater

Sub-Assembly Instructions

- With the flag away from you and pointing upwards
- Curl the flag toward the right.
Do not curl toward the left as it will change the resistance.
- Slip the shrink band over the curled flag.
- Slide the shrink band/flag combination over the thermostat flush with the hub of the thermostat.

1000 OHM HEATER

