

**THERMA-FUSER™****THERMALLY POWERED VAV DIFFUSER**

MODULAR VAV SYSTEMS

**BULLETIN**

April 20, 2006

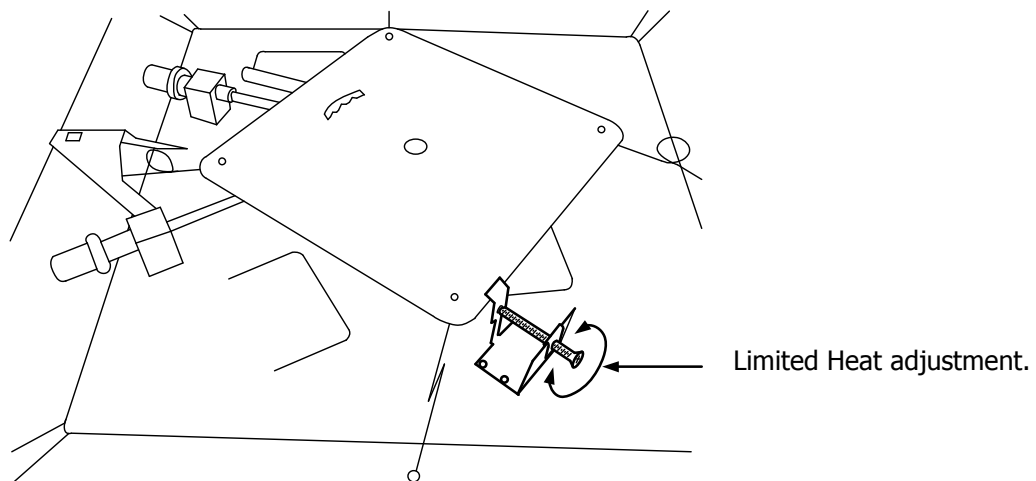
Subject: **NEW! TF-HC Limited Heat**

**TF-HC Limited Heat, a Therma-Fuser diffuser where the maximum air volume in heating may be adjusted from 0-100% of capacity.**

The ASHRAE Standard 90.1-2001 Energy Standard for Buildings Section 6.3.2.1 requires controls that prevent reheating of air that has been previously cooled. There are some exceptions to section 6.3.2.1 that allow for a certain volume of air to be reheated. A couple of the exceptions are the amount of air required for ventilation to meet ASHRAE Standard 62 and 30% of the zone design peak supply rate.

The U.S. Energy Policy Act of 1992 requires that each state must have a building code at least as stringent as ASHRAE 90.1. Many states adopted codes based upon ASHRAE 90.1, or have their own codes that, at least in part, follow ASHRAE 90.1 (i.e. California's Title 24).

To assist the designer with compliance to ASHRAE Standard 90.1-2001 Energy Standard and local energy standards, Acutherm is proud to announce the release of the TF-HC Limited Heat and TF-CW Limited Heat. The unique design of the Limited Heat stop only limits the air volume in heating, full air volume is still achieved in cooling.



The Limited Heat option is factory set and may be adjusted between 0-100% of capacity in the field by turning a screw (easily accessible under the appearance panel). Settings are easily achieved by adjusting the blade opening to the required percent of capacity as shown on the graph (see page 2).

The TF-HC Limited Heat option may be used anywhere the maximum air volume in heating needs to be set at a volume less than the maximum air volume in cooling.

